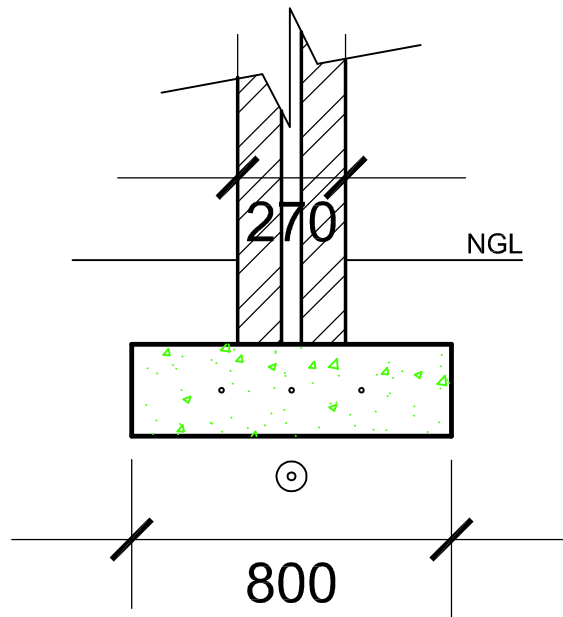
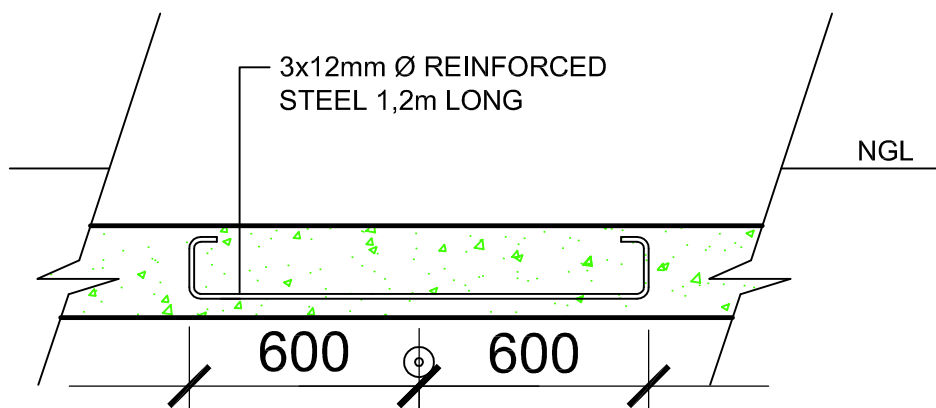


**PLAN** SCALE 1:20



**SECTION** SCALE 1:20



**ELEVATION** SCALE 1:20